





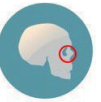










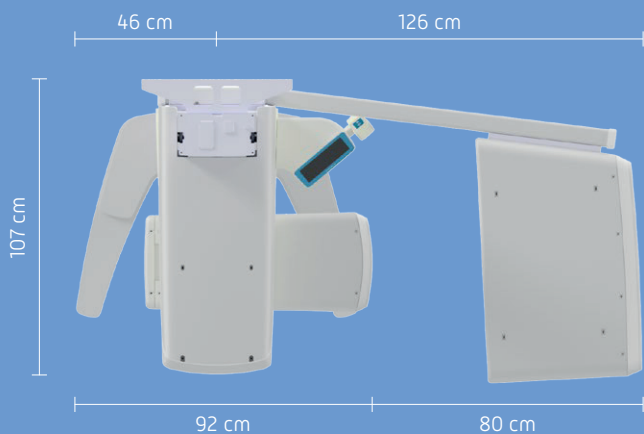
TECHNICAL DATA

| | | 2D PAN BASIC/UP | CEPH DR |
|-----------------|-------------------|--|---|
| X-RAY GENERATOR | Type | High Frequency DC Generator | |
| | Operative Mode | Direct | |
| | Tube Voltage | 61-85 KvP | |
| | Anode Current | 5-10 mA | |
| | Focal Spot | 0.5 mm | |
| DETECTOR | Type | CMOS Detector | One Shot, Digital CMOS Sensor |
| | Area in mm | 150x7 | 300x240 |
| | Pixel Size | 100 µm | 125 µm |
| | Number of Pixel | 1500x68 | 2448x2048 |
| | Scintillator | Csl | |
| ACQUISITION | Exposure Time | 4.4-15.5 s | 200-500 ms with Immediate scanning |
| PROGRAMS | Standard | Adult/Child Standard Panoramic Adult/Child Hemi Panoramic Frontal Dentition TMJ closed/open mouth 2D Sinus | LL CEPH 30x24 AP CEPH Carpus images |
| | Optional 2D Exams | Reduced Dose Improved Orthogonality Right Bitewing | Left Bitewing Right and Left Bitewing |
| DIMENSIONS | Height [cm] | 223.5 | |
| | Weight [Kg] | 110 | 25 |
| SOFTWARE | Acquisition | Deep-View Multiuser | |
| | Optional | DICOM 3.0-Print only DICOM 3.0 - Full (Base, CD, Worklist, Print) DFO for Cephalometric Analysis | |
| | Image Format | JPEG, BMP, PNG, TIFF, DCM | |

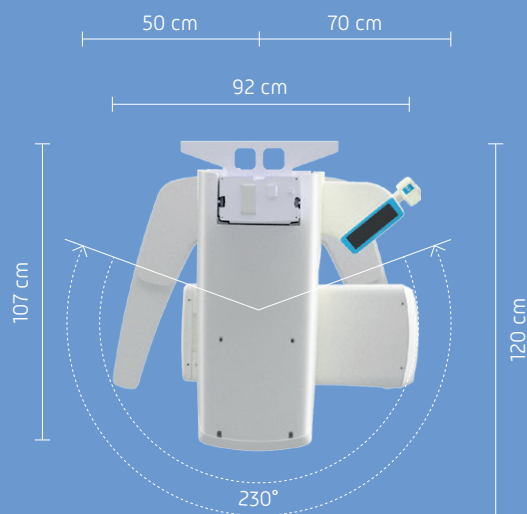
EXAMS

| | | | | | | | |
|----------------|---|---|---|---|--|---|---|
| 2D PAN |  |  |  |  |  |  |  |
| | Standard PAN | Hemi PAN right | Hemi PAN left | Frontal Dentition | TMJ closed mouth | TMJ open mouth | Sinus |
| OPTIONAL 2DPAN |  |  |  |  |  | | |
| | Reduced Dose Panoramic | Improved Orthogonality Panoramic | Right Bitewing | Left Bitewing | Right and Left Bitewing | | |
| CEPH |  |  |  | | | | |
| | Latero-Lateral 30x24 | Antero-Posterior | Carpus Image | | | | |

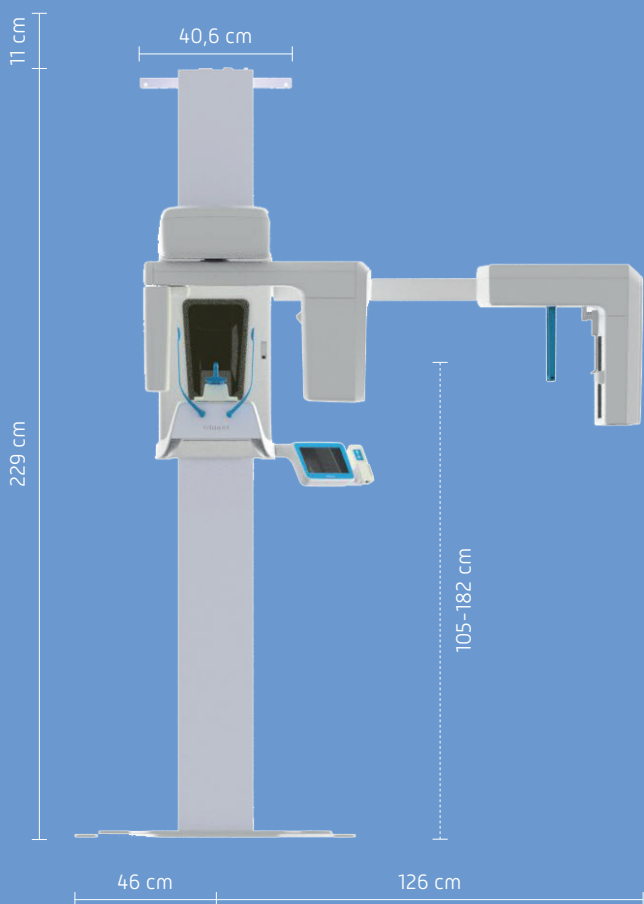
X-VIEW 2D PAN CEPH



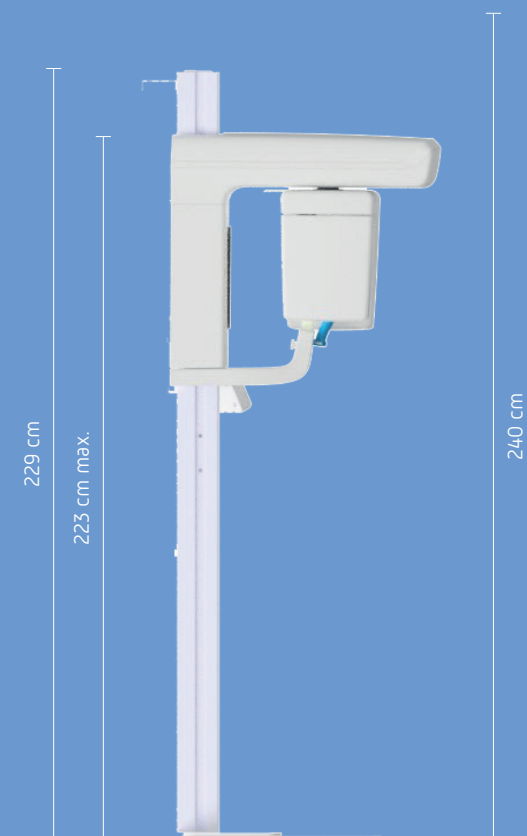
X-VIEW 2D ONLY/2D PAN UP



X-VIEW 2D PAN CEPH



X-VIEW 2D ONLY/2D PAN UP



Trident S.r.l.

Via Artigiani, 4 25014 Castenedolo
 Phone +39 030 2732485
 info@trident-dental.com

www.trident-dental.com