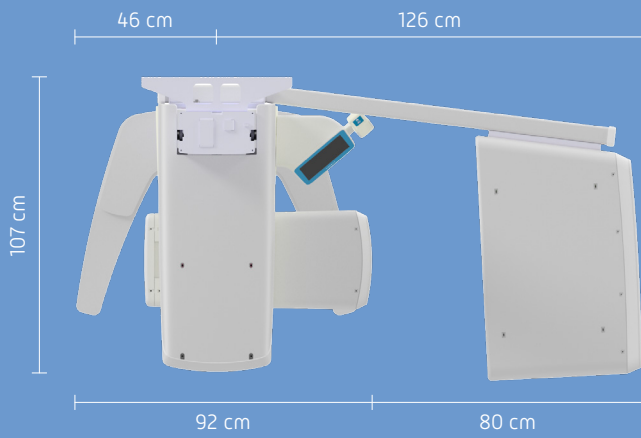
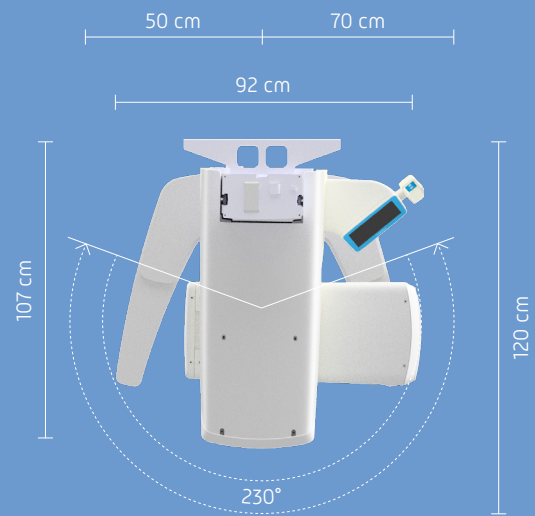


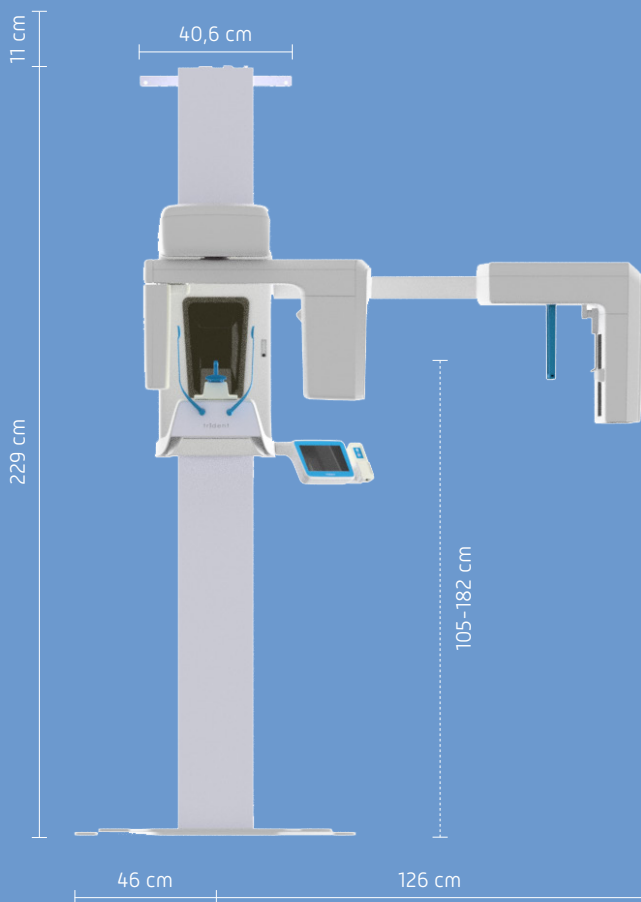
X-VIEW 2D PAN CEPH FOCUS



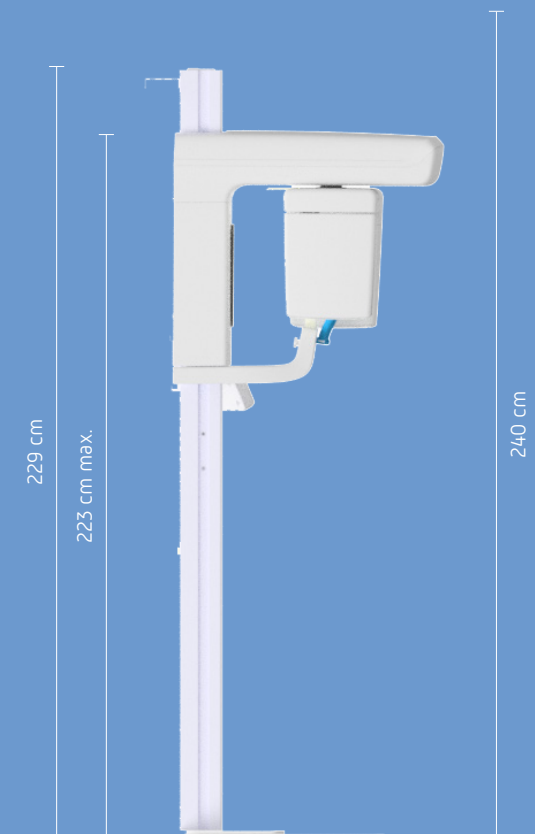
X-VIEW 2D ONLY/2D PAN UP FOCUS



X-VIEW 2D PAN CEPH FOCUS



X-VIEW 2D ONLY/2D PAN UP FOCUS



Trident S.r.l.

Via Artigiani, 4 25014 Castenedolo

Phone +39 030 2732485

info@trident-dental.com

www.trident-dental.com