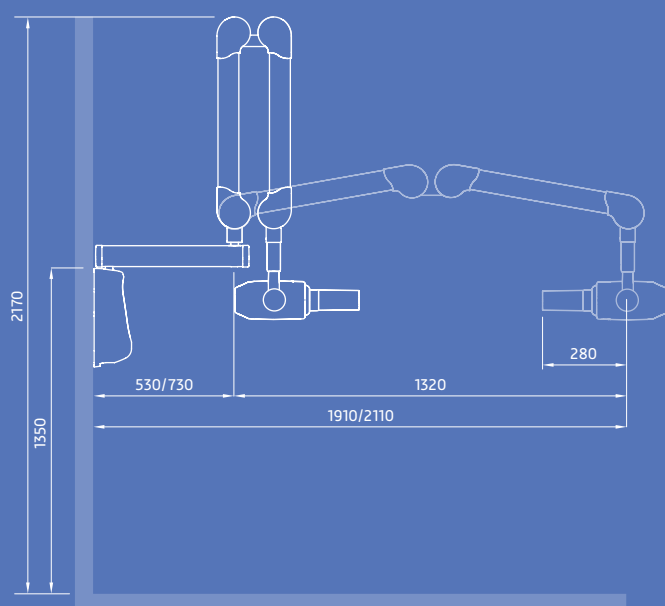
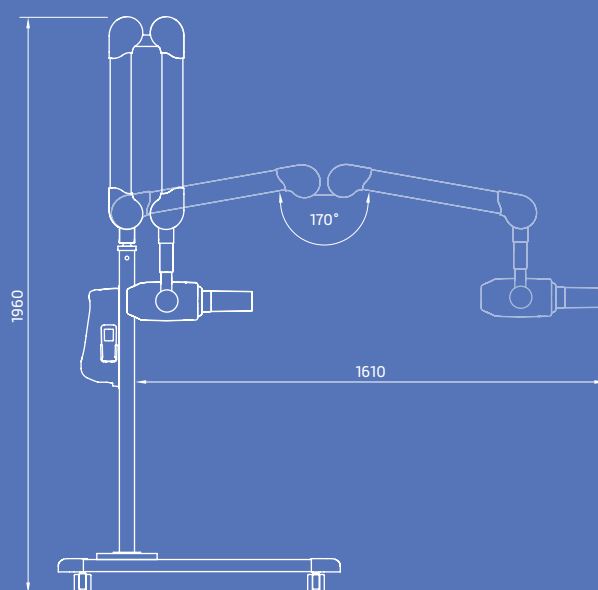


X-RAY GENERATOR	
Operation Mode	Continued with cooling period
Voltage	AC 230V/115 ±10%
Frequency	50/60 Hz
Electric current	4 A @ 230 V / 8 A @ 115V
Max power consumption	920 VA
Fuse	6.3/12 A
Distance from focus to skin	22cm [8 5/8 inch]
Output radiation	Diameter: ϕ 6 cm [2 3/8 inch]
X-RAY TUBE	
Focal Spot	0.7 IEC 60336:2005
Tube voltage	70KV±10%
Anodic electric current	7mA±15%
Total filtration	≥2.1 mmAl
Duty Cycle	1/60
Half-value layer	70KV, about 1.6 mmAl eq
Leakage radiation	1m<0.007mGy/h

WALL MOUNTED VERSION



MOBILE VERSION

**Trident S.r.l.**

Via Artigiani, 4 25014 Castenedolo

Phone +39 030 2732485

info@trident-dental.com

www.trident-dental.com