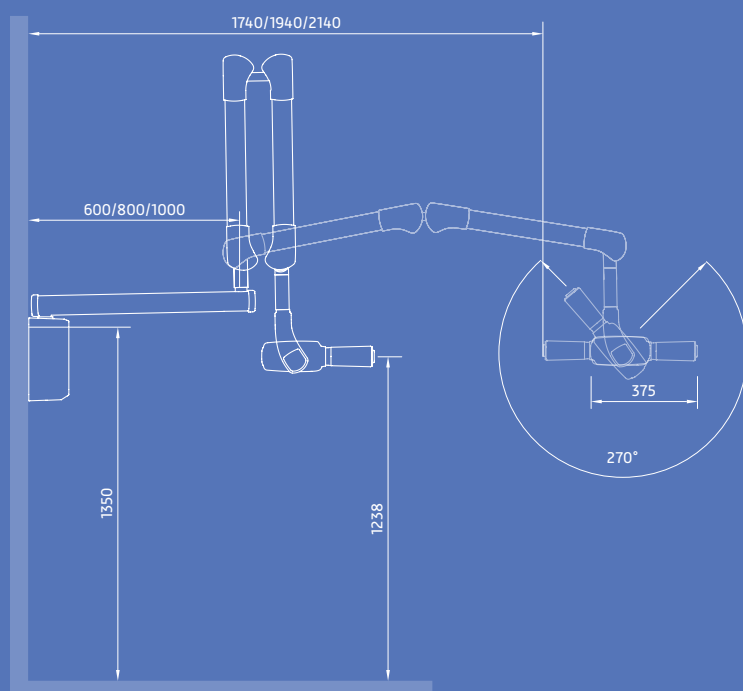
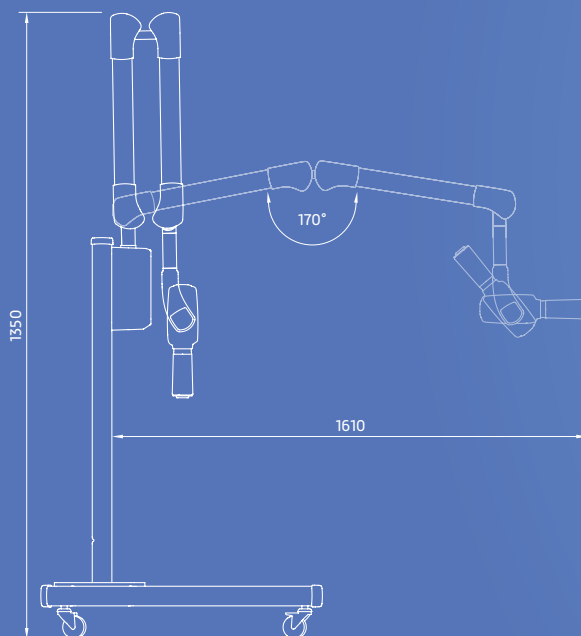


SYSTEM SUPPLY		
Supply Voltage	AC100-240V	
Frequency	50/60 Hz	
Electric current	2.7 A @ 240V , 6.4 A @ 100V	
Max Power Consumption	640VA [3 AT fuse]	
X-RAY GENERATOR		
Tube Voltage	60 kVp \pm 8% - 65 kVp \pm 8% - 70 kVp \pm 8%	
Frequency	75 kHz	
Anodic current	7 mA \pm 10%	
Output radiation linearity	< 0.2 according to IEC 60601-2-63	
Duty cycle	1:30	
Nominal power	490 W (70 kVp - 7 mA)	
Total filtration	1.5 mm Al eq. @ 70 kVp	
Focal spot	0.4 mm [IEC 60336]	
Leakage radiation at 1 m	<0,1 mGy/h	
Max thermal capacity of monoblock	130J (convection oil bath cooling)	
Distance focus to skin	20 cm	
Beam diameter X Ray at 200 mm	60mm (optional 36 x 45 mm rectangular collimator)	
X-RAY TUBE		
Manufacturer	Canon	Skon X - CEI (Italy)
Model	D-045	OX70-4
Inherent filtration	< 1 mm Al eq.	0.5 mm Al eq.
Filament current	Max. 3 A	1.5 - 2.1 A
Focal spot	0.4 IEC 60336:2005	
Target material	Tungsten	
Max nominal voltage	70 kV	

WALL MOUNTED VERSION



MOBILE VERSION



Trident S.r.l.

Via Artigiani, 4 25014 Castenedolo
 Phone +39 030 2732485
 info@trident-dental.com

www.trident-dental.com