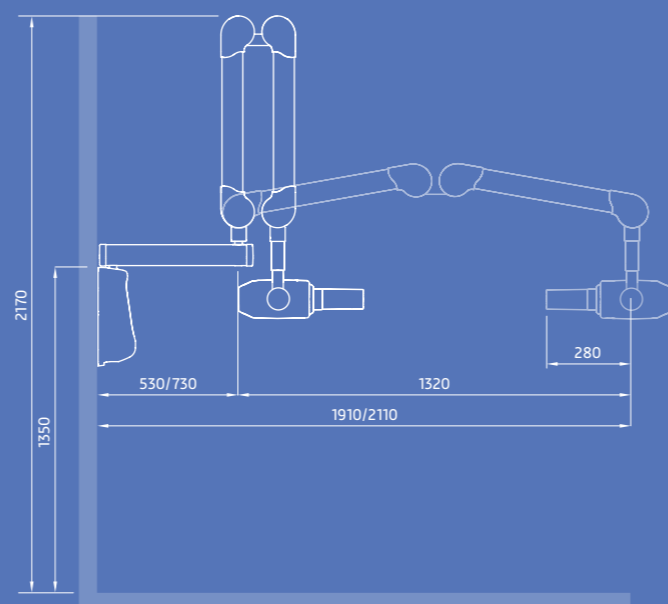


This is the classic, compact and lightweight X-Ray unit model, designed to ensure long durability with excellent results.

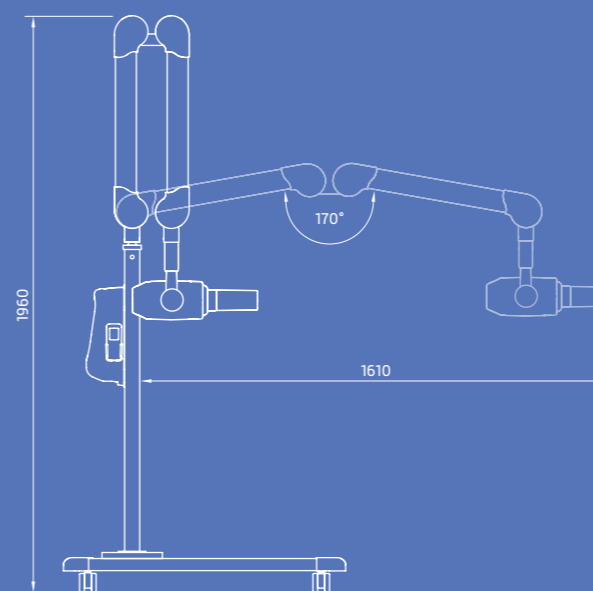
- 0.7 focal spot
- Back up timer
- Low dose setting
- High heat capacity
- Exposure time from 60 ms to 2,0 s
- Extendable arm available in 60 and 80 cm length

X-RAY GENERATOR	
Operation Mode	Continued with cooling period
Voltage	AC 230V/115 ±10%
Frequency	50/60 Hz
Electric current	4 A @ 230 V / 8 A @ 115V
Max power consumption	920 VA
Fuse	6.3/12 A
Distance from focus to skin	22cm [8 5/8 inch]
Output radiation	Diameter: φ 6 cm [2 3/8 inch]
X-RAY TUBE	
Focal Spot	0.7 IEC 60336:2005
Tube voltage	70KV±10%
Anodic electric current	7mA±15%
Total filtration	≥2.1 mmAl
Duty Cycle	1/60
Half-value layer	70KV, about 1.6 mmAl eq
Leakage radiation	1m<0.007mGy/h

WALL MOUNTED VERSION



MOBILE VERSION



TD05-EN R1-RiX70



**RiX70**  
Intraoral X-Ray unit

trident

Trident S.r.l.  
Via Artigiani, 4 25014 Castenedolo  
Phone +39 030 2732485  
info@trident-dental.com

www.trident-dental.com

Discover a world of images

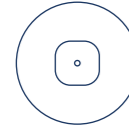
trident

**THE ADVANTAGES OF RiX70:**



**SOLID AND ERGONOMIC DESIGN**

RiX70 was designed for a long and reliable service life. It's composed of three groups: the monoblock, the timer and the whole arm. The unit is very compact, well finished and made of high-grade materials.



**0.7 MM FOCAL SPOT**

With 0.7 mm focal spot, RiX-70 produces images of excellent quality even in the most difficult-to-reach oral cavity areas.



**AUTOMATIC EXPOSURE TIME CONFIGURATION**

Once the exposure parameters have been selected, the exposure time will be automatically adjusted in a range between 0.06 and 2.0 seconds.

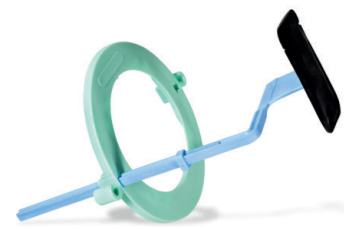


**EASY TO INSTALL AND MAINTAIN**

RiX70 is quite easy to assemble and install. The electrical installation requires few steps without major wall interventions. The unit has few replaceable parts, which means lower operating costs and easy maintenance service.

**PERFECT RESULTS WITH ANY IMAGE RECEPTOR**

To obtain incredible images, combine RiX70 X-Ray generator with any of the Trident intraoral sensors or the phosphor plates.



TRIDENT PHOSPHOR PLATE



I-VIEW SILVER CMOS SENSOR



I-VIEW GOLD CMOS SENSOR

Discover a world of images

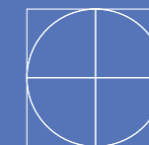
# FRIENDLY-USER CONTROL PANEL

The control panel is very simple to use, as it is made up of a window that shows the exposure time and the buttons to operate the unit; each button has the proper symbol to identify the different parameters.



**QUICK AND INTUITIVE EXPOSURE PARAMETERS SELECTION**  
All information needed for the X-ray shooting is easily found on the control panel:

- The type of patient: adult or child.
- Image receptor: traditional film, phosphor plates or intraoral sensor
- Tooth type selection.



# WALL MOUNTED AND MOBILE VERSION

To suit the accessible space, RiX70 is available in two versions: wall-mounted and mobile stand, providing optimal and flexible installation alternatives. The wall-mounted version does not require a large space, the total extension of the unit with a fully extended 80 cm support arm is 2.10 m.

MOBILE



WALL MOUNTED



trident