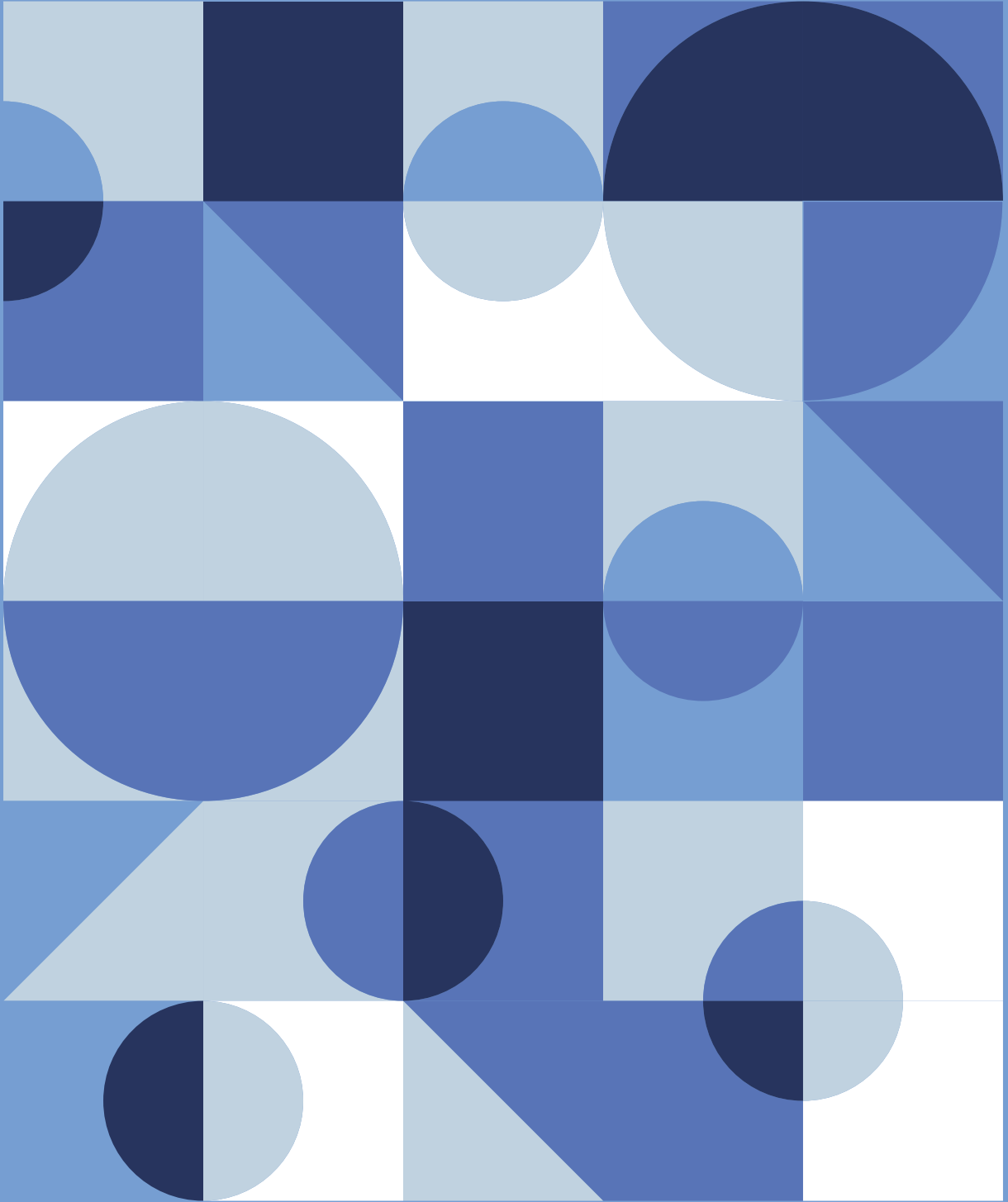


X-VIEW 2D PAN



Discover a world of images

trident

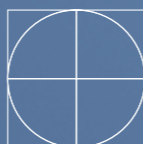
2D PAN

Efficient and modern digital radiographic system to provide doctors with an extremely useful tool for accurate diagnostics and successful treatments.

X-VIEW 2D PAN

X-VIEW

trident



trident-dental.com

HIGHLIGHTS

- High-quality panoramic and cephalometric imaging
- Dedicated collimators for each type of exam
- Intelligent continuous exposure with low radiation dose
- Intuitive interface and full connectivity
- Excellent balance of performance, reliability, and accessibility



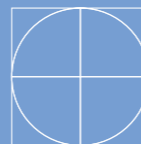
DEEP AI

The intelligent way to enhance 2D Panoramic Imaging

Deep-AI is designed to enhance image quality through intelligent automation. Fully integrated into DeepView software and available with the X-VIEW 2D PAN, Deep-AI goes further, by analyzing anatomical structures and dental contours in real time.

Unlike basic filters used in many imaging systems, Deep-AI automatically adjusts brightness, contrast, sharpness, and exposure to reveal subtle clinical details without manual intervention.

trident



X-VIEW 2D PAN

THE ENGINEERING BEHIND EVERY IMAGE

ONE

HIGH-FREQUENCY DC GENERATOR

Designed to ensure optimal imaging performance, this generator offers exceptional stability and precision—essential features for panoramic exams

- Reduced ripple in tube voltage
- High inverter frequency that allows faster response and minimal exposure time variation
- Exposure time: 2.4 – 15.5 s
- Focal spot: 0.5 mm
- Reduced radiation dose: stable emission minimizes overexposure risk while preserving image clarity
- Lower Power consumption (eco-green)

TWO

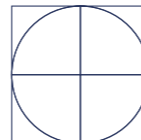
TWO DETECTORS. ONE SOLUTION. TOTAL IMAGING EFFICIENCY.

CMOS LINEAR IMAGE SENSOR FOR 2D IMAGES

- High spatial resolution
- Excellent low-dose sensitivity
- Fast line-by-line reading
- Low energy consumption
- Minimal heat generation

DEDICATED FLAT PANEL DR DETECTOR FOR CEPHALOMETRIC IMAGES

- Single shot technology for cephalometric images
- More detail and advanced filtering options
- Accurate real-time image
- Exposure time: 200 – 500 ms
- Immediate image display
- Detector-to-PC image transmission: ~2 seconds



trident

THREE

DIGITAL INNOVATION IN 2D AND CEPHALOMETRIC IMAGING

Complete software connectivity for easy exporting, sharing, and storing of images.

DEEP-VIEW IMAGE SUITE

- A user-friendly software for intuitive navigation, with advanced features to scan, view, and manage thousands of high-definition images
- Bridge and Twain functions
- DICOM compatibility and export to graphic formats: .jpg, .png, .bmp
- Advanced post-processing tools to consistently deliver optimal image results

AUDAXCEPH: AUTOMATED CEPHALOMETRIC ANALYSIS [OPTIONAL MODULE]

- Instant cephalometric analysis using AI-assisted landmark detection
- Smart superimposition and customizable reports
- Advanced treatment planning and simulation tools
- High-resolution imaging and intuitive patient data access
- A powerful tool for efficient modern dental workflows

DFO: DENTAL – FACIAL – ORTHOPEDICS [OPTIONAL MODULE]

- Software for orthodontic tracing and cephalometric analysis
- Differential analysis
- Orthodontic analysis
- DICOM image storage

AND SO MUCH MORE...



7-INCH COLOR TOUCHSCREEN

QUICK AND EASY PATIENT POSITIONING

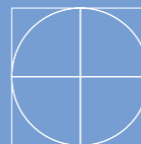
In panoramic imaging, positioning isn't just important, it's everything.

That's why X-VIEW 2D PAN is designed to offer excellent patient stability, quick access, and a natural, upright body position. Its ergonomic structure helps achieve the correct posture and a precise focal trough, ensuring sharp, high-quality diagnostic images from the very first scan.

A complete set of intelligent positioning tools guides the patient throughout the acquisition process, minimizing the risk of error:

- The bite block aligns the arches and positions the incisors on the focal plane for vertical symmetry.
- Dual laser beams define anatomical references, while the front mirror allows patients to adjust their position visually.
- The chin rest supports a stable and accurate focal plane.
- A motorized lift with two speeds makes height adjustment fast and precise.
- The double laser system ensures perfect head inclination and orientation.

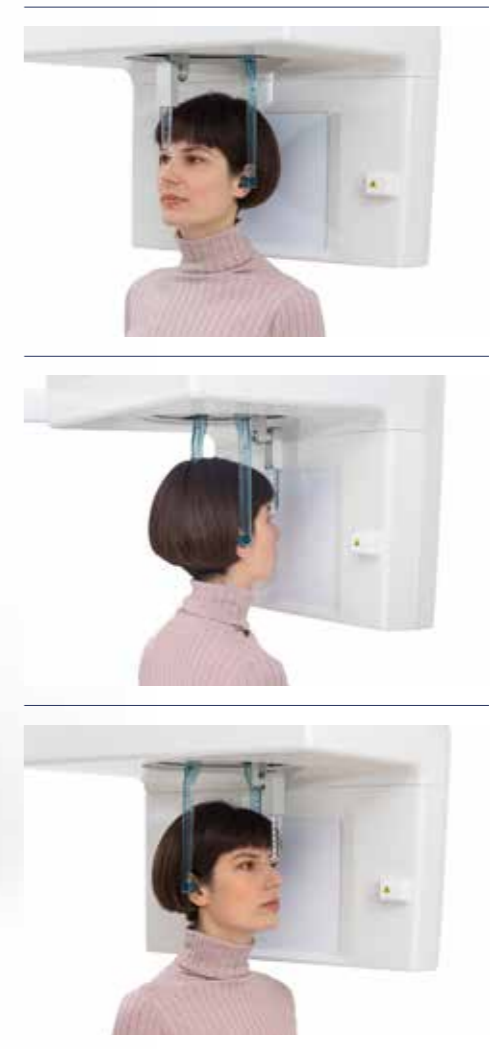
Its linear and open design provides easy access for patients of all sizes, including those in wheelchairs.



trident



X-VIEW 2D PAN



trident-dental.com

THE DIFFERENCE IS CLEAR – RIGHT FROM THE FIRST CLIC

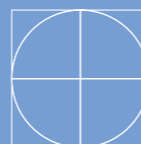
Every detail matters. The X-VIEW 2D PAN reveals diagnostic clarity with exceptional sharpness and optimal contrast.

Precise and consistent images, with dimensional accuracy, uniform exposure, and clear rendering of anatomical structures – supported by a stable grayscale and minimal image noise.



Fast, non-invasive procedure
A complete view in a single scan
Low radiation dose
Comfortable for sensitive patients
Optimized early diagnosis

trident



Perfectly
crafted to fit
your space



The X-VIEW 2D PAN is not only designed for diagnostic accuracy but also built to enhance clinical comfort and space efficiency. With its sleek structure, intuitive layout, and modern aesthetics, it's the perfect choice for any forward-thinking dental practice.

Available in three versions to meet the specific needs of your clinic:

X-VIEW 2D PAN – **BASIC**
X-VIEW 2D PAN – **UP**
X-VIEW 2D PAN – **CEPH**

trident-dental.com

X-VIEW 2D PAN - BASIC

The essentials of panoramic imaging.

A unit dedicated to 2D panoramic imaging, designed to support practitioners in the transition from intraoral to digital extraoral imaging.

A simple and efficient choice to expand your diagnostic capabilities with reliable, accessible image quality.

CMOS LINEAR IMAGE SENSOR

30X15 CM 2D ADULT PANORAMIC

30X13 CM 2D PEDIATRIC PANORAMIC

PIXEL SIZE 100 µM

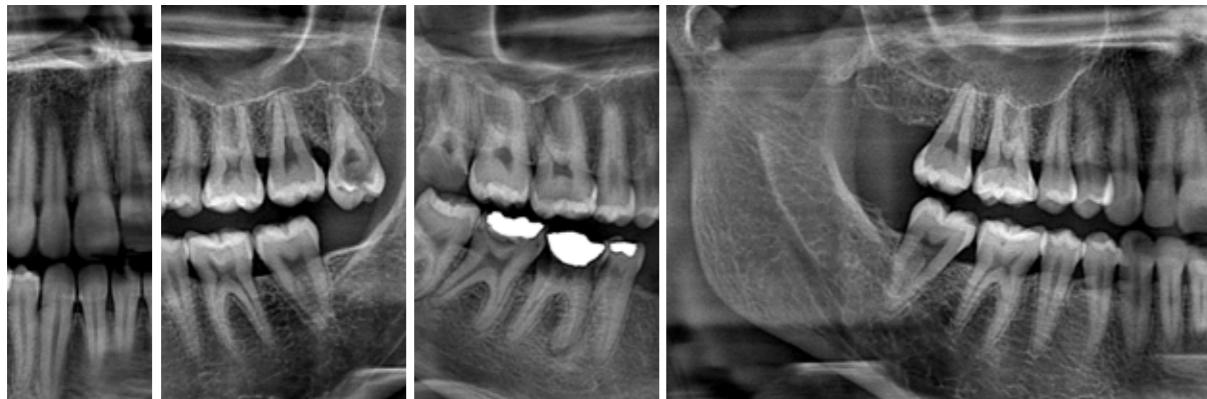
COMPACT DESIGN

EASY INSTALLATION

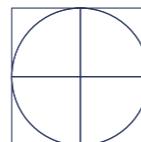
PANORAMIC EFFECT

The 2D PAN image provides a clear and precise overview of the head, neck, and jaw. It helps practitioners gain diagnostic efficiency from the very first scan:

- Monitoring of TMJ progression
- Early detection of cysts and anomalies
- Tooth localization, including unerupted ones
- Identification of mandibular fractures
- Diagnosis of periodontal disease and caries



trident



X-VIEW 2D PAN - UP

More than a starting point. Built to grow with you.

The 2D PAN UP is a panoramic unit engineered from the ground up with future expansion in mind.

It comes preconfigured to integrate the cephalometric arm and flat panel sensor anytime, without replacing the base unit.

LOW RADIATION DOSES

LESS EXPOSURE TIME

VARIABLE FIELD COLLIMATOR

CMOS LINEAR IMAGING SENSOR

30x15 cm ADULT PANORAMIC IN 15.5 s

30x13 cm CHILD PANORAMIC IN 14.8 s

EXCEPTIONAL PANORAMIC QUALITY

The X-VIEW 2D PAN UP captures every detail with remarkable sharpness, a stable grayscale, and minimal distortion for accurate diagnosis from the very first image.



trident-dental.com

X-VIEW 2D PAN – CEPH

The 2-in-1 model of the X-VIEW family is a multifunctional integrated system that brings the benefits of both 2D and cephalometric imaging within reach of general dentists, periodontists, orthodontists, and other specialists, from medium-sized practices to hospitals and clinics.

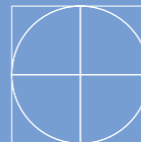


Complete imaging capabilities:

- ADULT PANORAMICS: 30 × 15 CM IN 15.5 s**
- PEDIATRIC PANORAMICS: 30 × 13 CM IN 14.8 s**
- A/P AND L/L CEPHALOMETRIC IMAGES**
- CARPAL RADIOGRAPHS**

- Pre-configured system – no upgrades or modifications required
- Advanced collimation system for optimized exposure fields
- Low radiation dose with intelligent pulsed acquisition
- High-speed image processing with fast transfer time (~2 seconds)
- Consistent image quality across every exam

trident



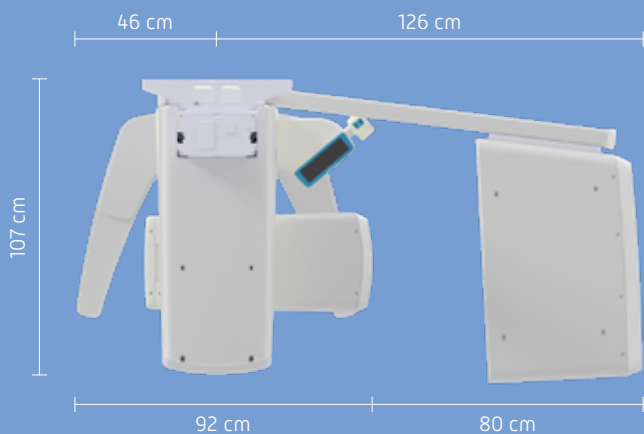
TECHNICAL DATA

		2D PAN BASIC/UP	CEPH DR
X-RAY GENERATOR	Type	High Frequency DC Generator	
	Operative Mode	Direct	
	Tube Voltage	61-85 KvP	
	Anode Current	5-10 mA	
	Focal Spot	0.5 mm	
DETECTOR	Type	CMOS Detector	One Shot, Digital aSi Detector
	Area in mm	150x7	300x240
	Pixel Size	100 µm	125 µm
	Number of Pixel	1500x68	2448x2048
	Scintillator	CsI	
ACQUISITION	Exposure Time	4.4-15.5 s	200-500 ms with Immediate scanning
PROGRAMS	Standard	Adult/Pediatric Standard PAN Adult/Pediatric Hemi PAN Frontal Dentition TMJ closed/open mouth 2D Sinus	LL CEPH 30x25 AP CEPH Carpus images
	Optional 2D Exams	Reduced Dose Improved Orthogonality Right Bitewing	Left Bitewing Right and Left Bitewing
DIMENSIONS	Height [cm]	223.5	
	Weight [Kg]	101	26
SOFTWARE	Acquisition	Deep-View Multiuser	
	Optional	DICOM 3.0-Print only DICOM 3.0 - Full (Base, CD, Worklist, Print) AUDAXCEPH, DFO for Cephalometric Analysis	
	Image Format	JPEG, BMP, PNG, TIFF, DCM	

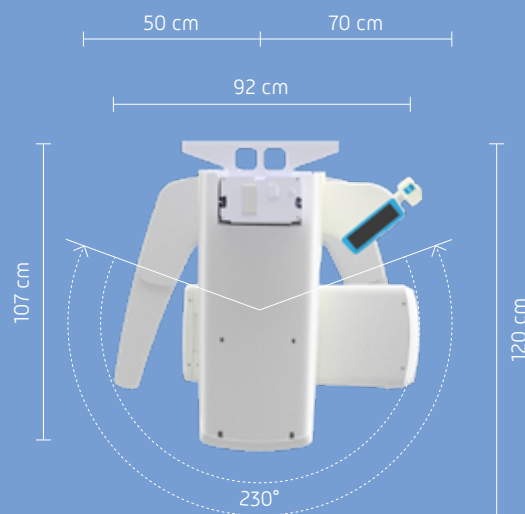
EXAMS

2D PAN							
	Standard PAN	Hemi PAN Right	Hemi PAN Left	Frontal Dentition	TMJ Closed	TMJ Open mouth	Sinus
OPTIONAL 2D							
	Reduced Dose	Improved Orthogonality	Right Bitewing	Left Bitewing	Left & Right Bitewing		
CEPH							
	25x30 LL	A-P	Carpus				

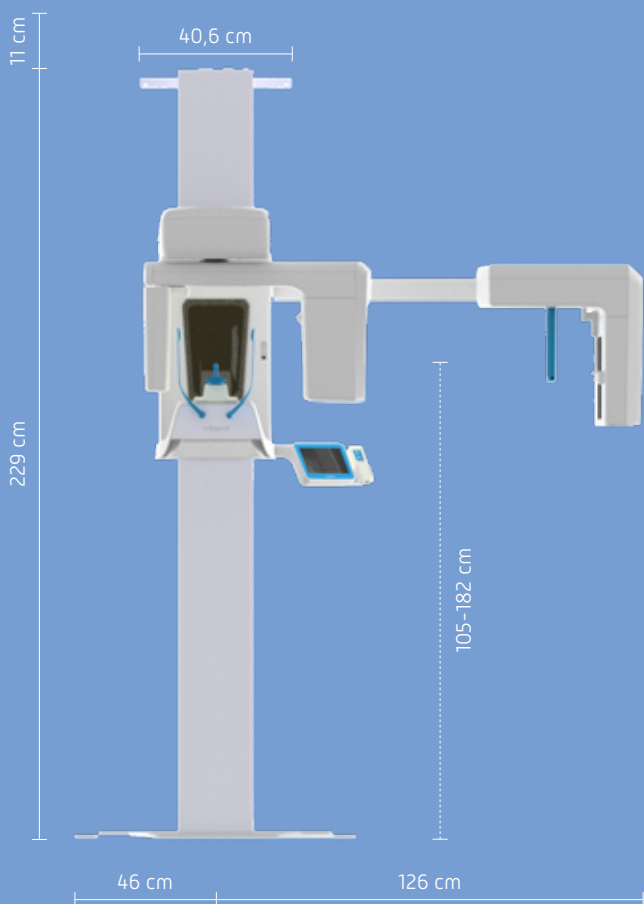
X-VIEW 2D PAN CEPH



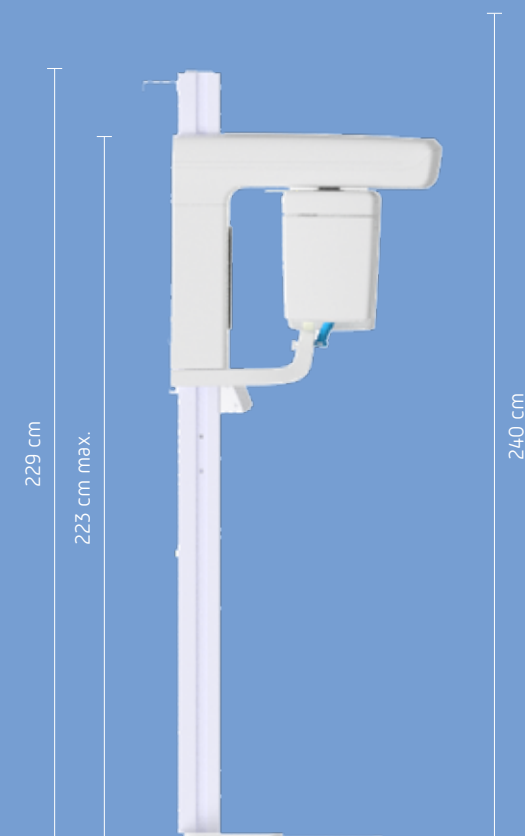
X-VIEW 2D ONLY/2D PAN UP



X-VIEW 2D PAN CEPH



X-VIEW 2D ONLY/2D PAN UP



Trident S.r.l.

Via Artigiani, 4 25014 Castenedolo - Italy
 Phone +39 030 2732485
 info@trident-dental.com

www.trident-dental.com